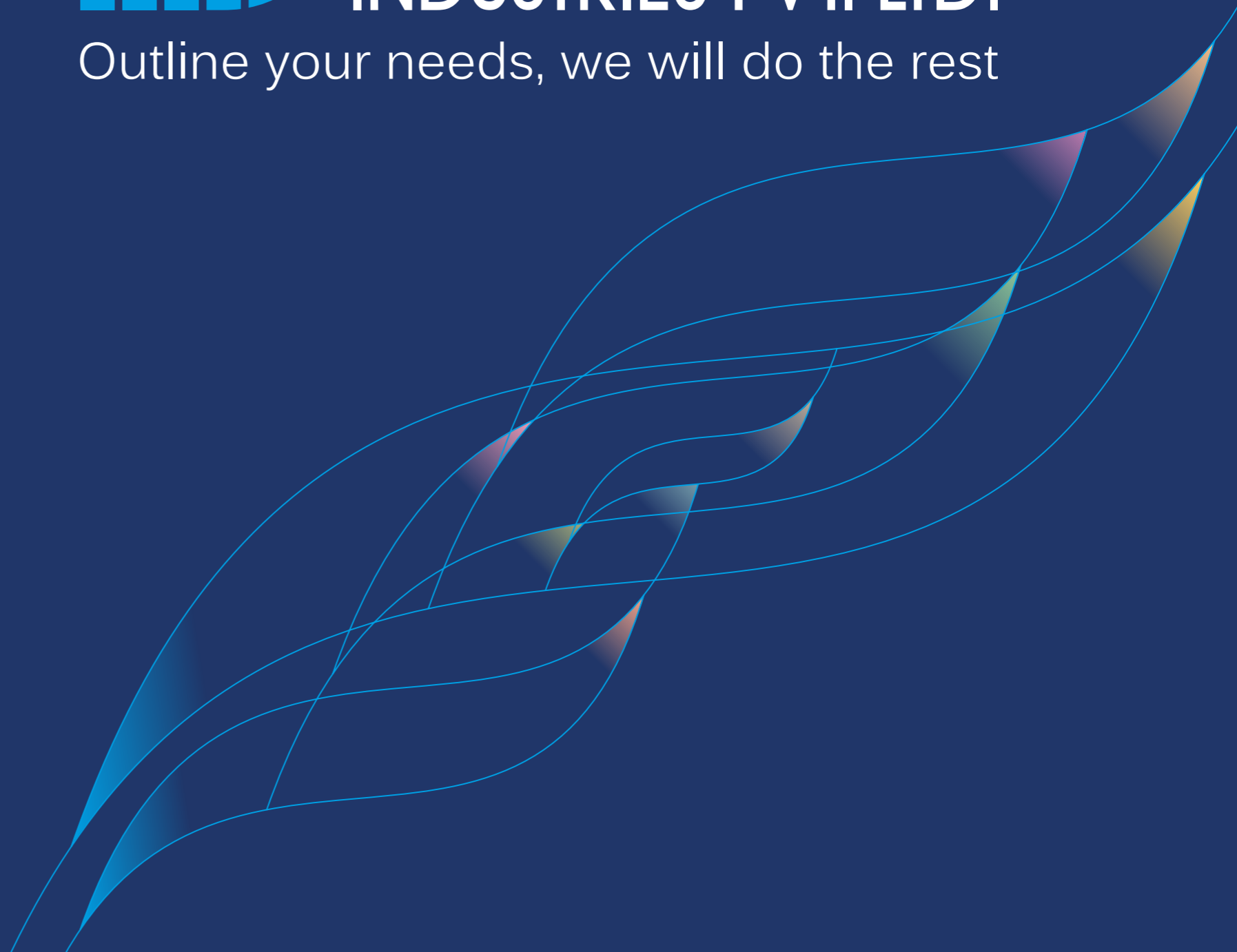
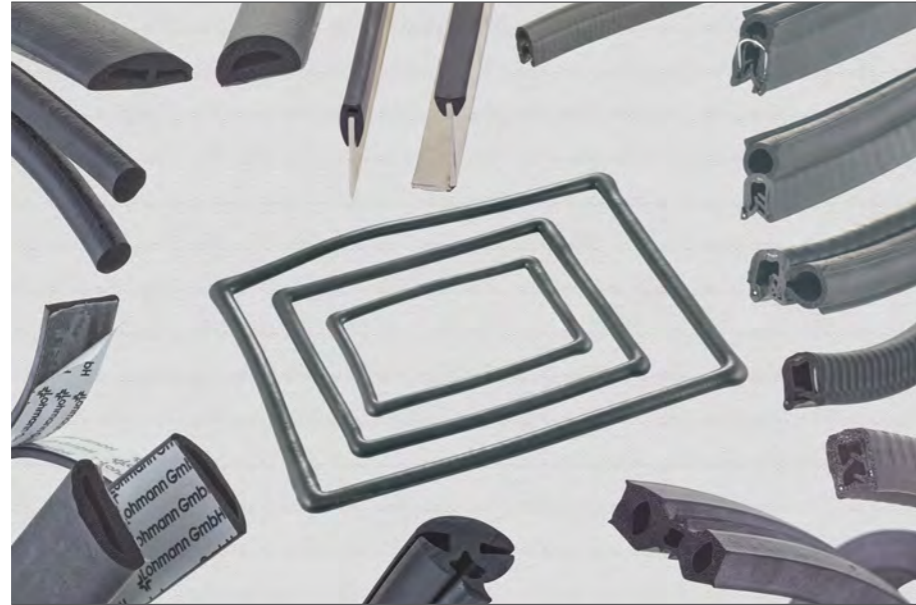




Outline your needs, we will do the rest





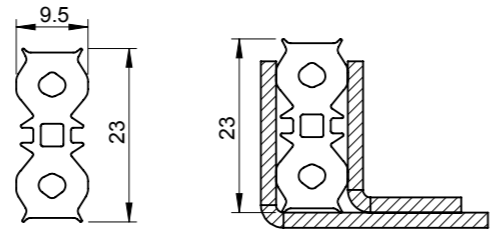
01. Lip Gasket.....	904
02. Edge Seal Gasket.....	905
03. Chord Gasket.....	906
04. Glass Gasket .....	907
05. Edge Protector Gasket .....	908
06. Top Bulb Wire Gasket.....	909
07. Side Bulb Wire Gasket.....	911



Gasket H

## Gasket

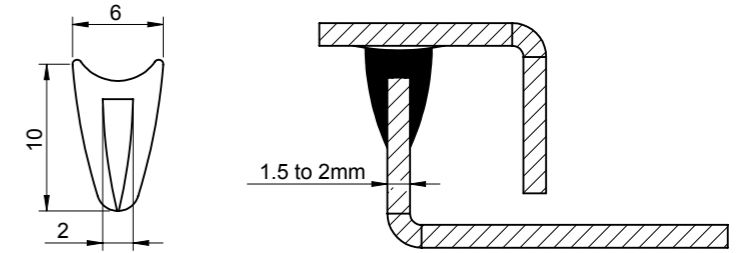
## Lip Gasket



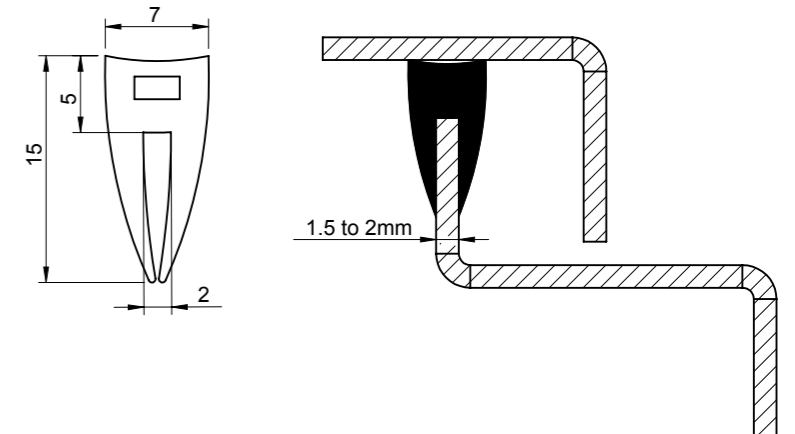
Product Code	Material
DGES-9.5	EPDM

## Gasket

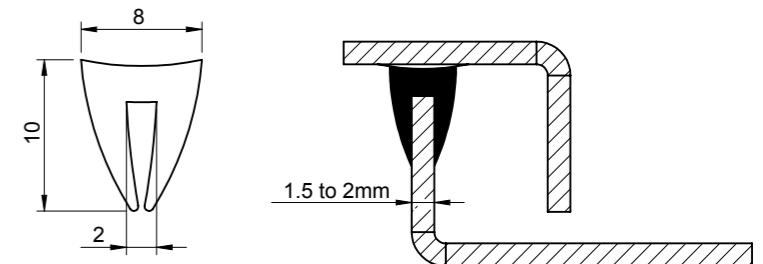
## Edge Seal Gasket



Product Code	Material
DEPE-6	EPDM



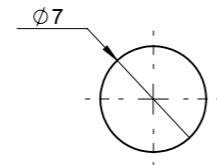
Product Code	Material
DEPE-7	EPDM



Product Code	Material
DEPE-8	EPDM

## Gasket

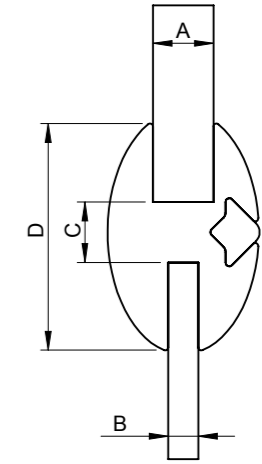
## Chord Gasket



Product Code	Material
DGR-7	EPDM

## Gasket

## Glass Gasket

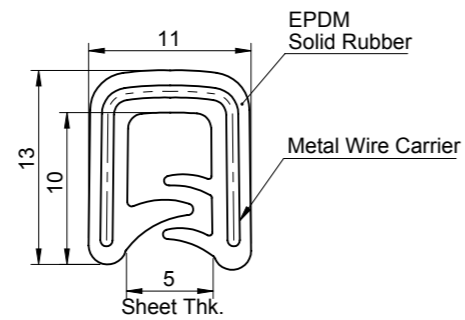


Product Code	Material	A (Glass Thk.)	B (Glass Thk.)	C	D
DGG-2.5x6	EPDM	6	2.5	7	21
DGG-2x4	EPDM	4	2	4	15

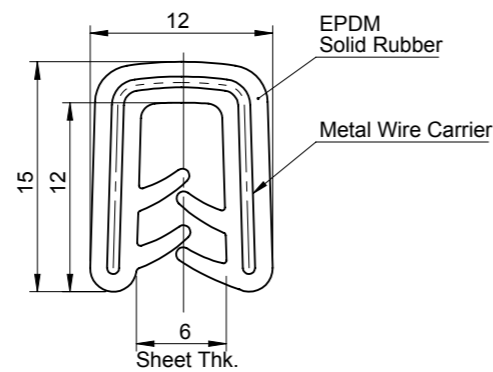


# Gasket

## Edge Protector Gasket



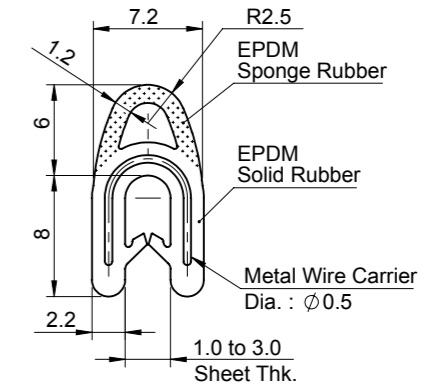
Product Code	Material
<b>DEPEWC-11</b>	EPDM



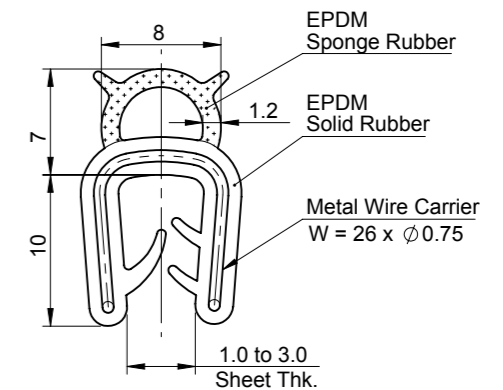
Product Code	Material
<b>DEPEWC-12</b>	EPDM

# Gasket

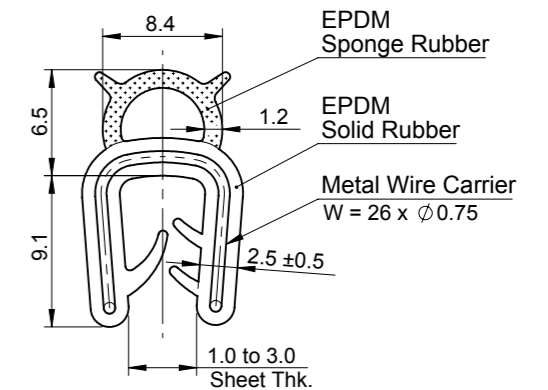
## Top Bulb Wire Gasket



Product Code	Material
<b>DGEWC-7</b>	EPDM



Product Code	Material
<b>DGEWC-8</b>	EPDM

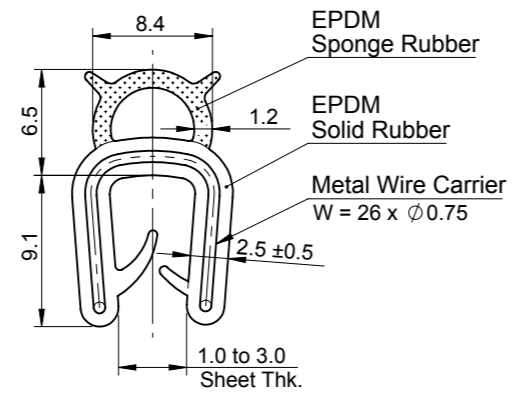


2020

Product Code	Material
<b>DGEWC-8.4</b>	EPDM

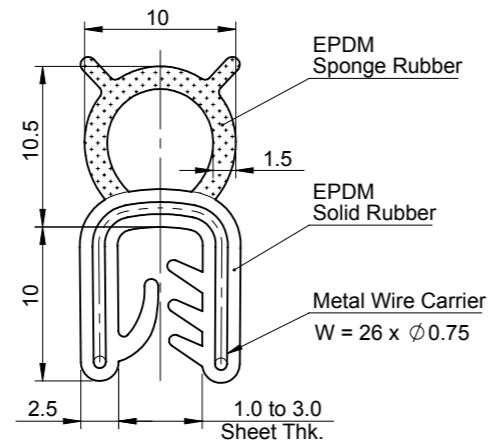
## Gasket

## Top Bulb Wire Gasket



2020

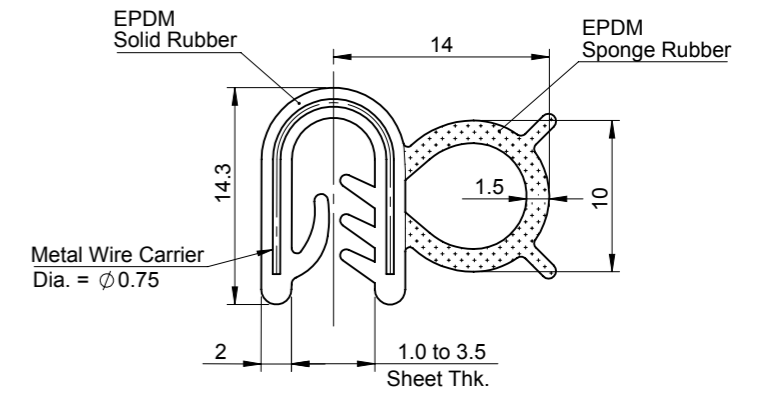
Product Code	Material
DGEWC-8.4-F	EPDM



Product Code	Material
DGEWC-10	EPDM

## Gasket

## Side Bulb Wire Gasket



Product Code	Material
DGEWC-1410-H	EPDM

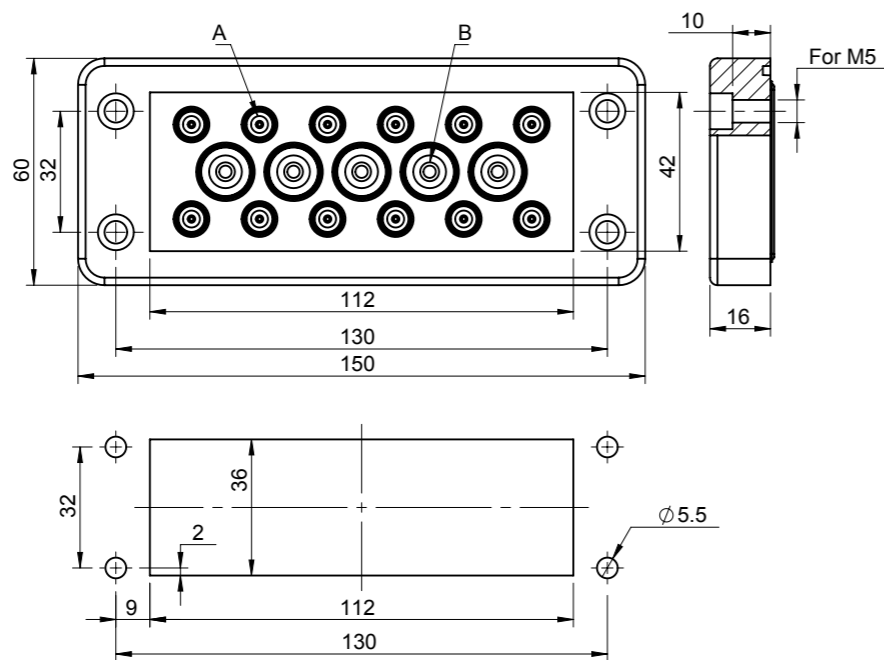
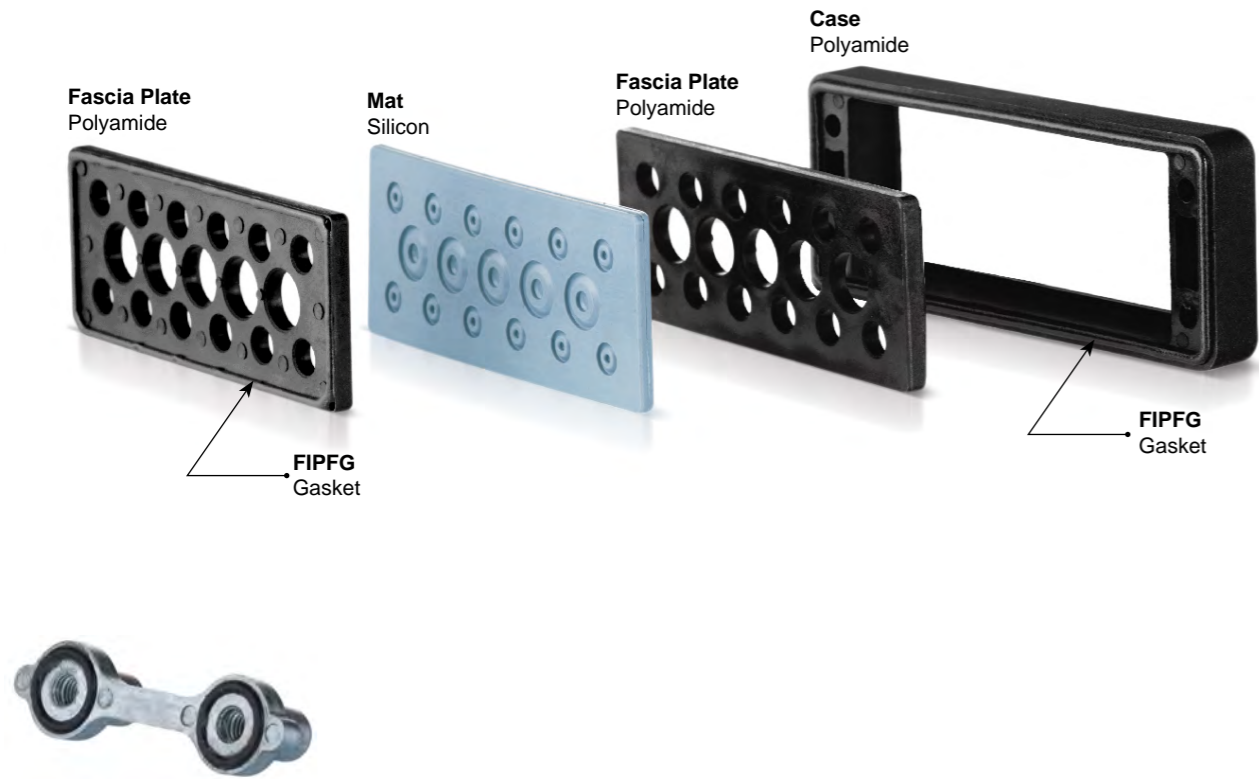


01. Cable Push System.....	914
02. Assembly for Terminate Holding System .....	918
03. Terminated Holding System.....	920
04. Split Grommet .....	922

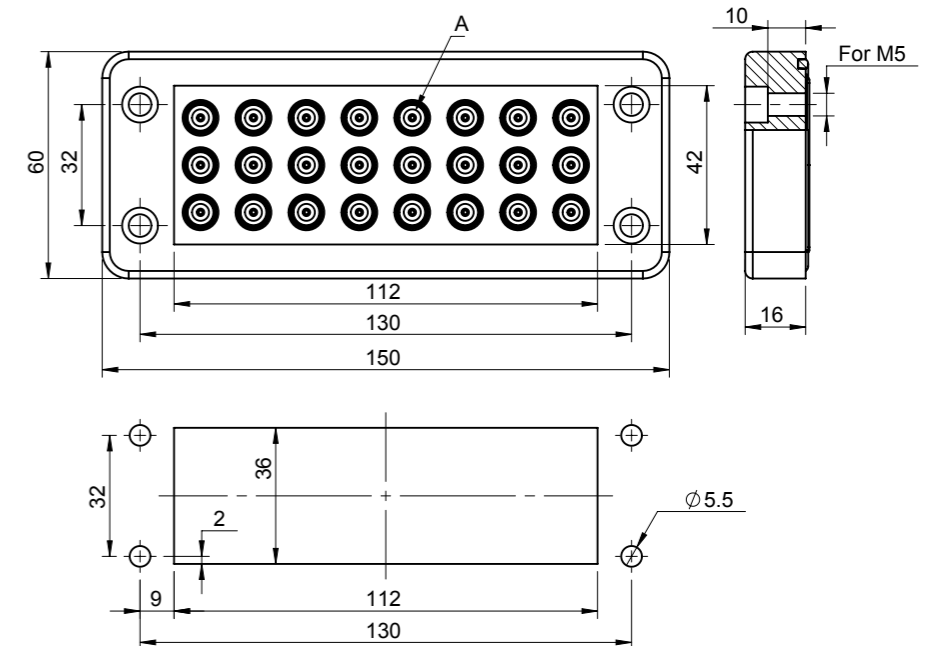
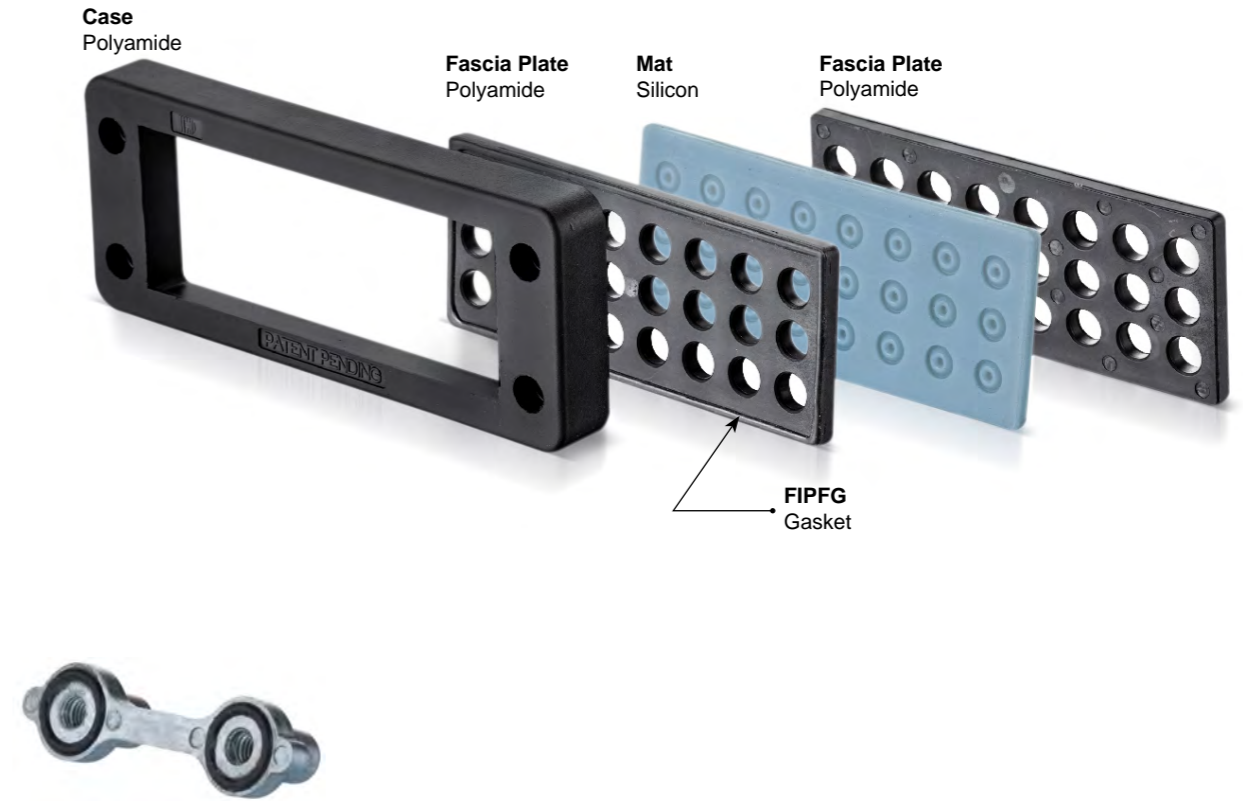


Cable Management System |



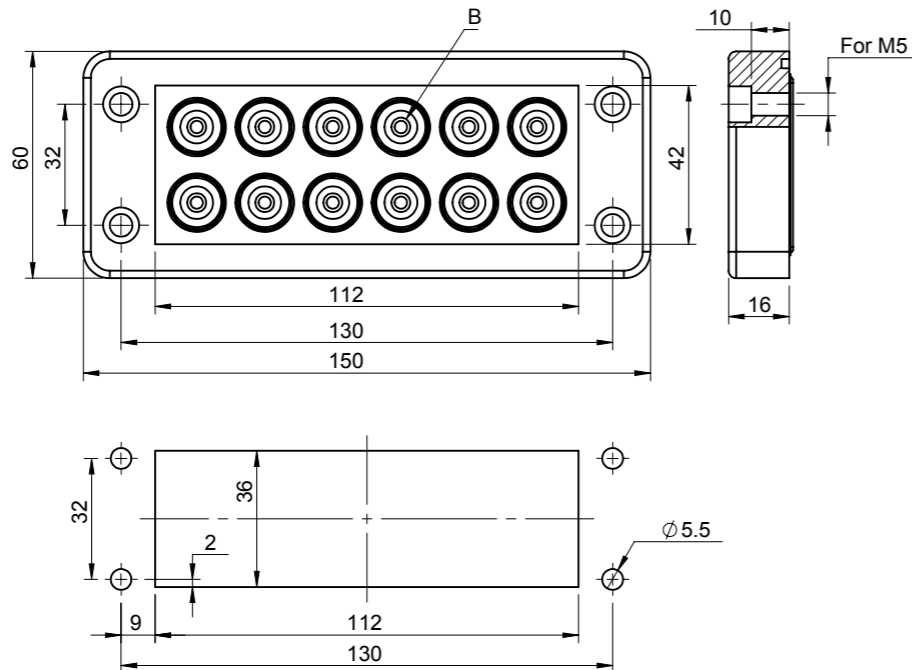
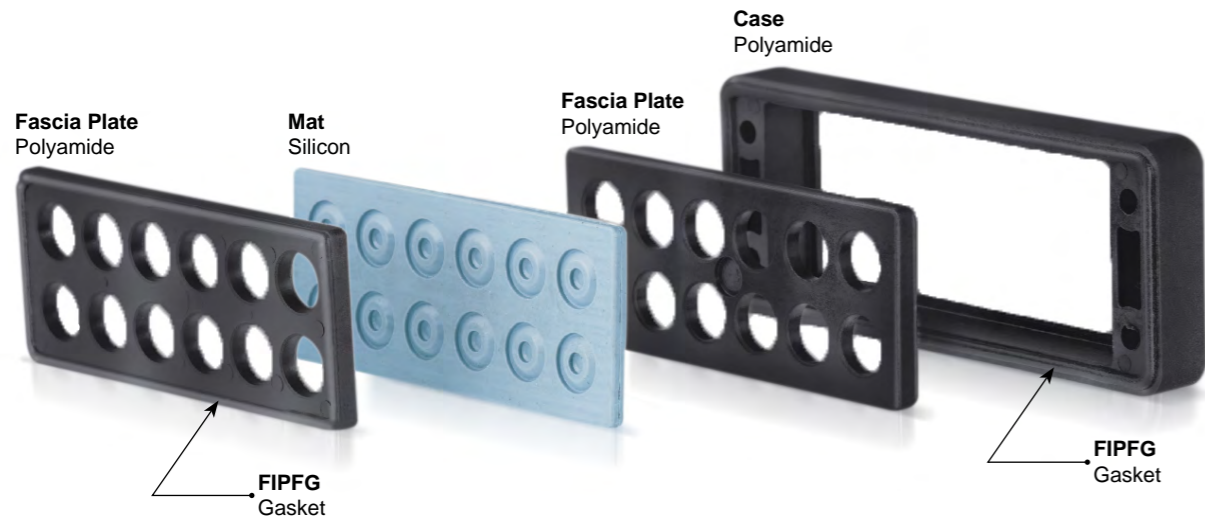


Product Code	Cable Holder Material	A (Cable Size)	B (Cable Size)	Description	IP-65 Mount
<b>DCPS-150-A12/B5</b>	Silicon	Ø4.0 to Ø7.0	Ø8.0 to Ø12.0	Cable Push System	CD-32-M5
IP-65 Mount, to be ordered separately					
The Cable Push System is two plates along with a silicon mat in which conduits, cables, pneumatic and hydraulic hoses can be simply pushed through the thin membrane and are immediately held in.					

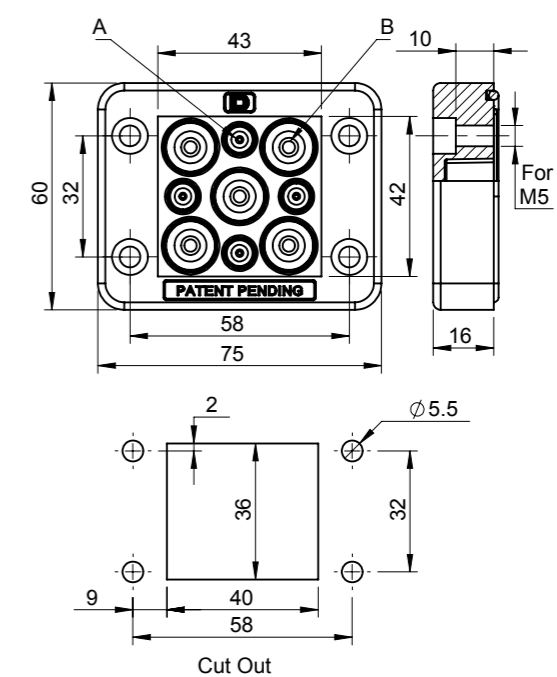
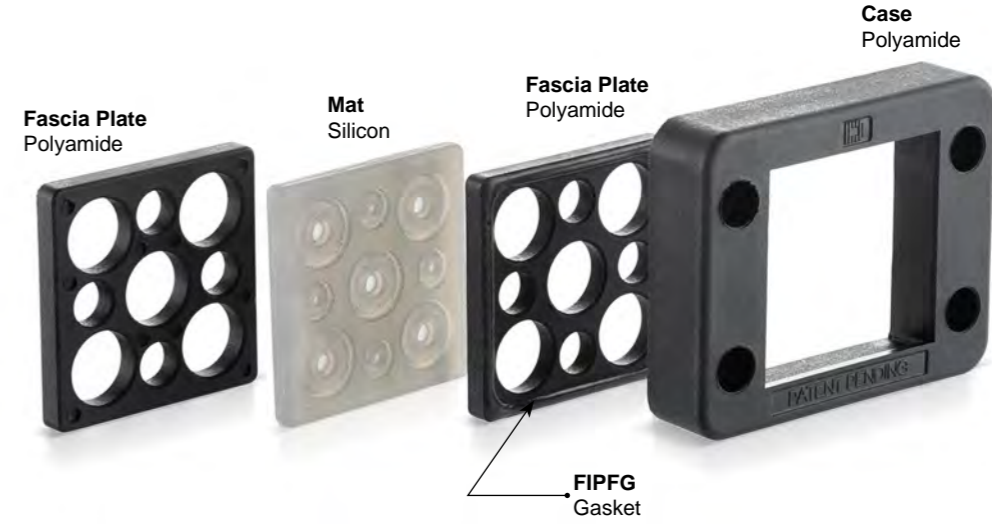


Product Code	Cable Holder Material	A (Cable Size)	Description	IP-65 Mount
<b>DCPS-150-A24</b>	Silicon	Ø4.0 to Ø7.0	Cable Push System	CD-32-M5
IP-65 Mount, to be ordered separately				
The Cable Push System is two plates along with a silicon mat in which conduits, cables, pneumatic and hydraulic hoses can be simply pushed through the thin membrane and are immediately held in.				





Product Code	Cable Holder Material	B (Cable Size)	Description	IP-65 Mount
<b>DCPS-150-B12</b>	Silicon	Ø8.0 to Ø12.0	Cable Push System	CD-32-M5
IP-65 Mount, to be ordered separately				
The Cable Push System is two plates along with a silicon mat in which conduits, cables, pneumatic and hydraulic hoses can be simply pushed through the thin membrane and are immediately held in.				



Product Code	Cable Holder Material	A (Cable Size)	B (Cable Size)	Description	IP-65 Mount
<b>DCPS-75-A4/B5</b>	Silicon	Ø4.0 to Ø7.0	Ø8.0 to Ø12.0	Cable Push System	CD-32-M5
IP-65 Mount, to be ordered separately					
The Cable Push System is two plates along with a silicon mat in which conduits, cables, pneumatic and hydraulic hoses can be simply pushed through the thin membrane and are immediately held in.					



1  
Holder



2  
Insert the Pre-terminated Cable in the Split Grommet



3  
Place the Grommet along with the Cable in the Holder



4  
Close the Holders together



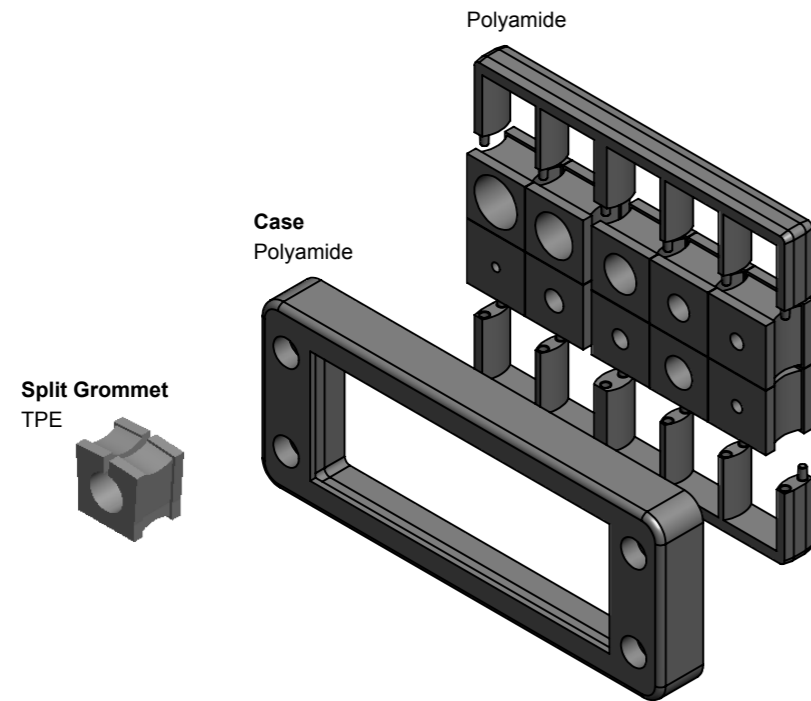
5  
Place the Holder assembly in the Case



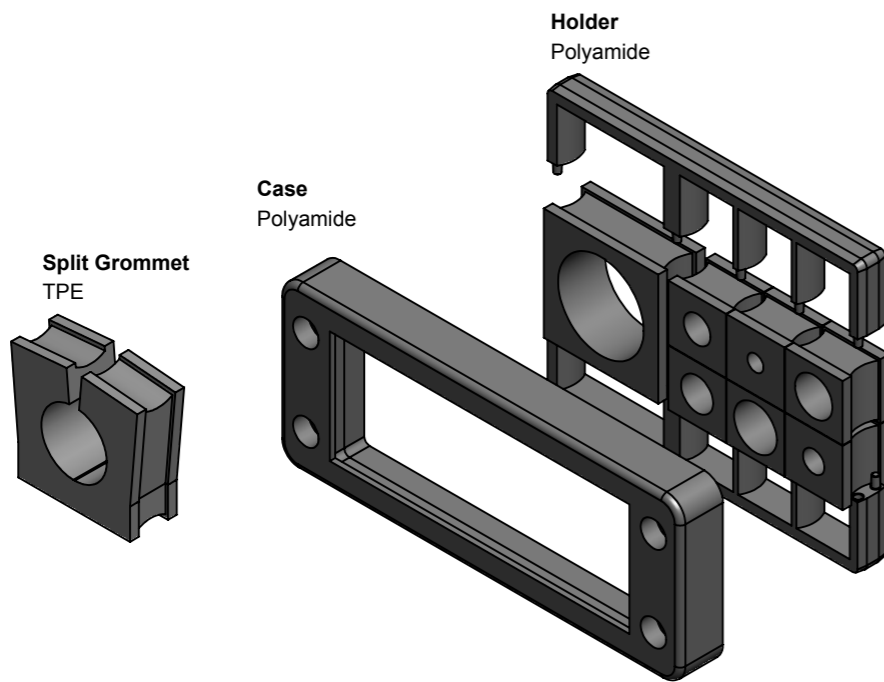
6  
Place the Holder assembly in the Case

# Cable Management System

## Terminated Holding System



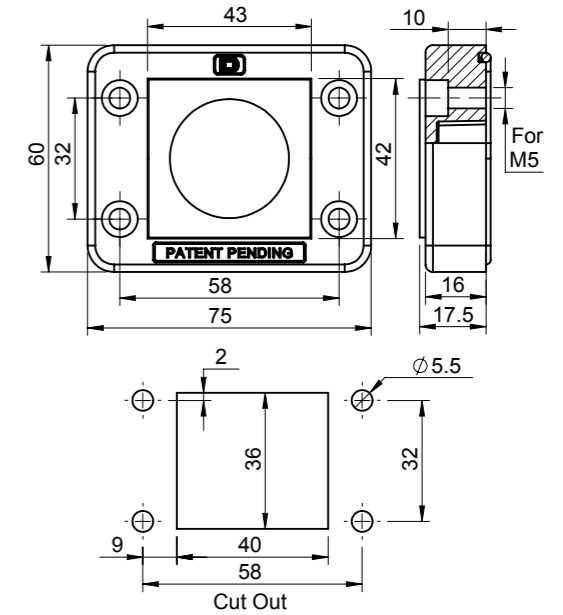
Product Code	Grommet (Cable Holder) Material	Grommet Size	Cable Size	Description	IP-65 Mount
<b>DCCHS-150-G20-10</b>	TPE	As Per Requirement	As Per Requirement	Terminated Holding System	CD-32-M5
IP-65 Mount, to be ordered separately					
The Cable Terminated Holding System is designed for holding pre-assembled cables, pneumatic, hydraulic hose tubes and electrical conduits in junction boxes, control cabinets etc. These products are a cost saving alternative to cable gland fitting.					



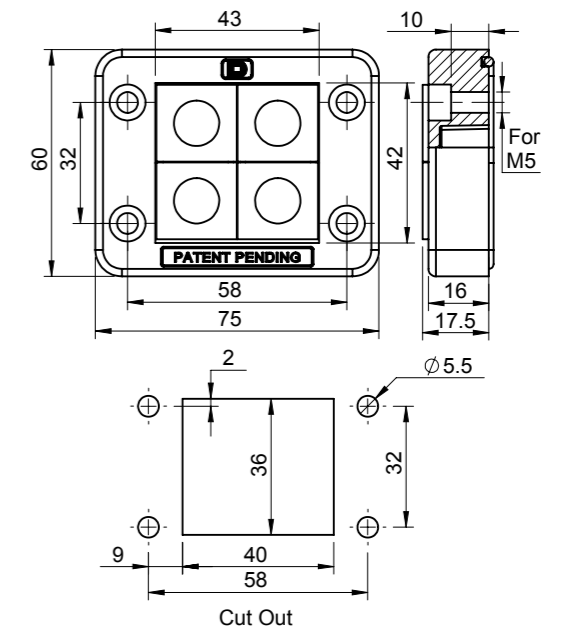
Product Code	Grommet (Cable Holder) Material	Grommet Size	Cable Size	Description	IP-65 Mount
<b>DCCHS-150-G42-1/G20-6</b>	TPE	As Per Requirement	As Per Requirement	Terminated Holding System	CD-32-M5
IP-65 Mount, to be ordered separately					
The Cable Terminated Holding System is designed for holding pre-assembled cables, pneumatic, hydraulic hose tubes and electrical conduits in junction boxes, control cabinets etc. These products are a cost saving alternative to cable gland fitting.					

# Cable Management System

## Terminated Holding System

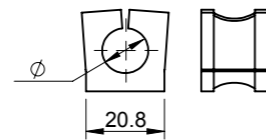


Product Code	Grommet (Cable Holder) Material	Grommet Size	Cable Size	Description	IP-65 Mount
<b>DCCHS-75-G42-1</b>	TPE	As Per Requirement	As Per Requirement	Terminated Holding System	CD-32-M5
IP-65 Mount, to be ordered separately					
The Cable Terminated Holding System is designed for holding pre-assembled cables, pneumatic, hydraulic hose tubes and electrical conduits in junction boxes, control cabinets etc. These products are a cost saving alternative to cable gland fitting.					



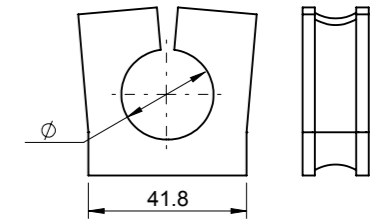
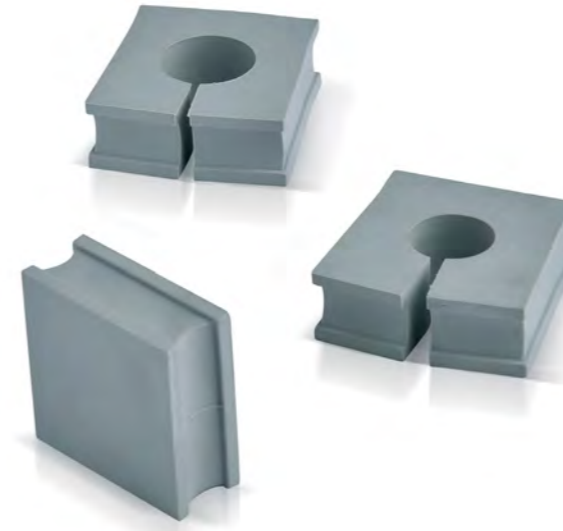
Product Code	Grommet (Cable Holder) Material	Grommet Size	Cable Size	Description	IP-65 Mount
<b>DCCHS-75-G20-4</b>	TPE	As Per Requirement	As Per Requirement	Terminated Holding System	CD-32-M5
IP-65 Mount, to be ordered separately					
The Cable Terminated Holding System is designed for holding pre-assembled cables, pneumatic, hydraulic hose tubes and electrical conduits in junction boxes, control cabinets etc. These products are a cost saving alternative to cable gland fitting.					





Product Code	Material	Cable Size	Description
DHG-20-3	TPE	Ø3.0	Terminated Holding System
DHG-20-4	TPE	Ø4.0	Terminated Holding System
DHG-20-5	TPE	Ø5.0	Terminated Holding System
DHG-20-6	TPE	Ø6.0	Terminated Holding System
DHG-20-7	TPE	Ø7.0	Terminated Holding System
DHG-20-8	TPE	Ø8.0	Terminated Holding System
DHG-20-9	TPE	Ø9.0	Terminated Holding System
DHG-20-10	TPE	Ø10.0	Terminated Holding System
DHG-20-12	TPE	Ø12.0	Terminated Holding System
DHG-20-14	TPE	Ø14.0	Terminated Holding System
DHG-20-16	TPE	Ø16.0	Terminated Holding System
DHG-20-Blank	TPE	20-Blank	Terminated Holding System

Grommets are to be ordered separately in pack of 20 nos. each



Product Code	Material	Cable Size	Description
DHG-42-18	TPE	Ø18.0	Terminated Holding System
DHG-42-20	TPE	Ø20.0	Terminated Holding System
DHG-42-22	TPE	Ø22.0	Terminated Holding System
DHG-42-24	TPE	Ø24.0	Terminated Holding System
DHG-42-Black	TPE	42-Blank	Terminated Holding System

Grommets are to be ordered separately in pack of 20 nos. each